



Complies with ErP Directive 2009/125/CE and EU Regulation 1253/2014
Classification: Residential Ventilation Unit

- Powerful centrifugal duct fan Ø100 mm with decentralised outlet.
- Innovative design with flat front cover and lateral intake. Suitable for surface or built-in installation (wall/ceiling mounted).
- Casing for built-in installation on request
- Provided with removable filter in PP washable in dishwasher and with back-draught shutters.

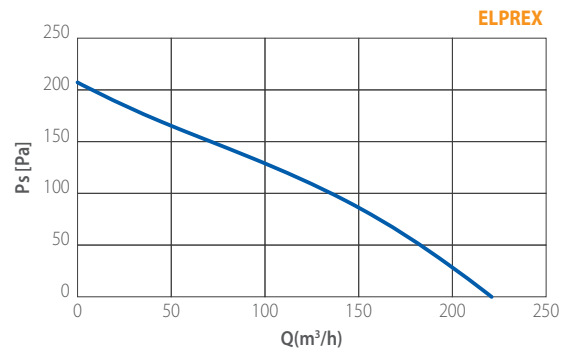


PERFORMANCE

MODEL	DUCT Ø	m³/h	l/s	Pa	W	dB (A)*
Standard - Pull Cord - Timer - MHY						
ELPREX 100	100	221	61	208	29	41
CMT Comfortimer - 2V - MHT 2V						
ELPREX 100	100	221	61	208	29	41

* Lp(A) measured at 3m in open field 230V-50Hz.

CURVES



VERSIONS



BASE - On/off through light or remote control switch



PULL CORD - On/off through pull cord switch



TIMER - Integral electronic timer adjustable from 3 to 25 minutes



CMT - COMFORTIMER - Overrun timer at low speed



MHT - Humidity control, adjustable from 40 to 80% of R.H. and Timer adjustable from 3 to 25 mm



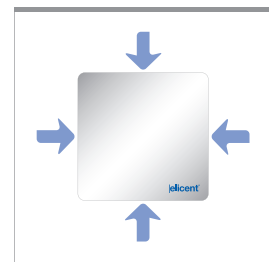
2V - 24 hours running at the lowest speed



Decentral outlet



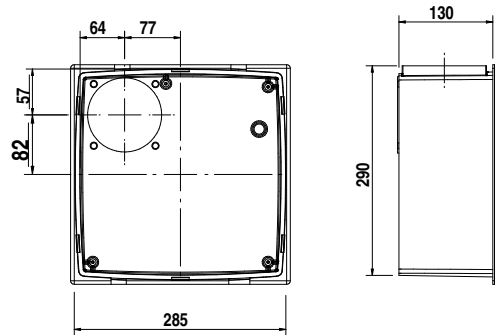
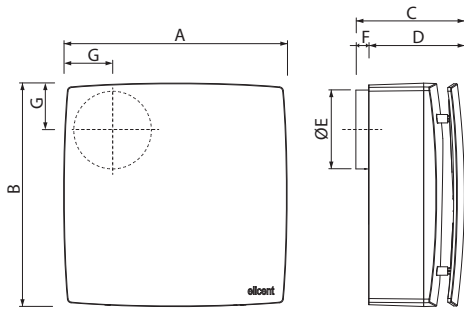
Built-in kit



Lateral intake



DIMENSIONS (mm)

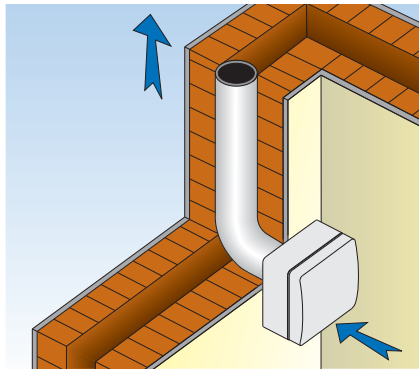


TYPE	A	B	C	D	ØE	F	G	Kg
ELPREX	280	280	135	120	99	16	58	2,8

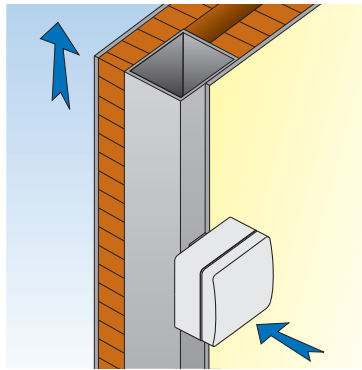
Casing for built-in installation
(to be ordered separately)

INSTALLATION

SURFACE

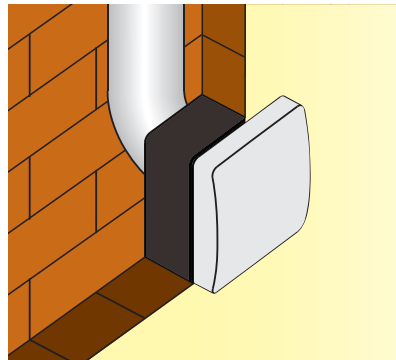
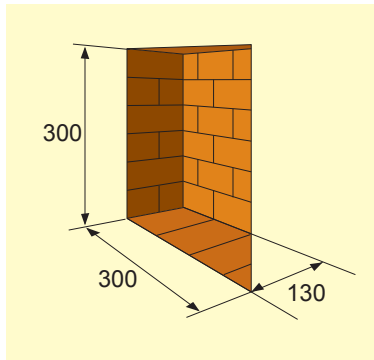


SINGLE DUCT

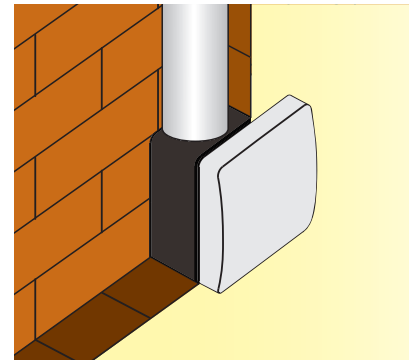


MULTIPLE DUCT

BUILT-IN



REAR OUTLET



VERTICAL OUTLET